

# Fred's Favorite Hive Set-up

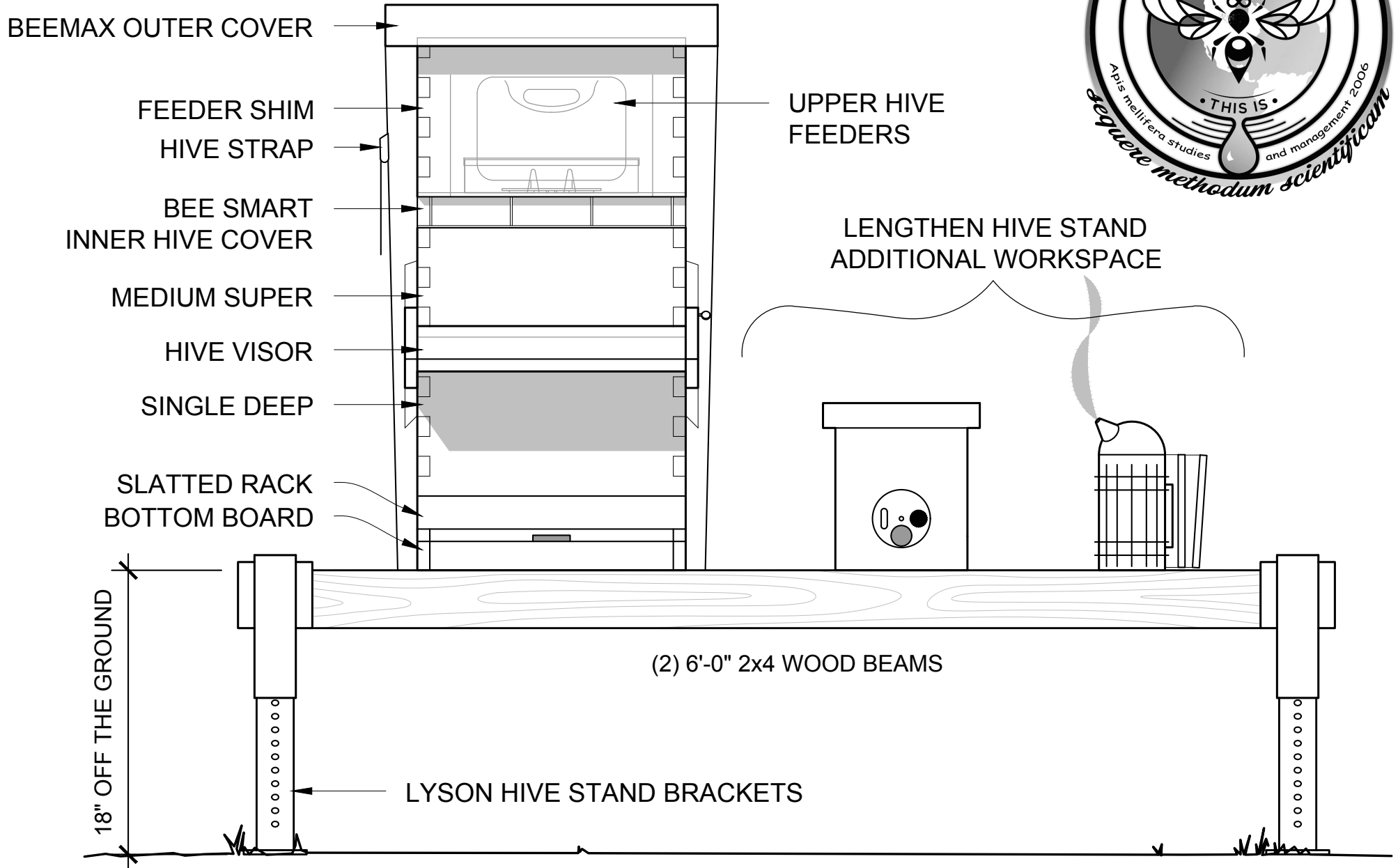
AS DISCUSSED IN THE WAY TO BE PODCAST Q&A 149



1. Fred uses all standard Langstroth 10-frame gear. There could be a separate version for 8-frame equipment, but the feeder shim and insulated inner cover would overhang the 8-frame boxes.
2. The insulated inner cover should be similar to the **BeeSmart Insulated Inner Cover** as it has that valuable plastic frame that is slightly domed on the underside which helps condensation trail off to the edges if it occurs. It has that removable feeder cap, so it's the most versatile Fred has found anywhere.
3. The entrance reducer size is optimized at that 3/8" height x 2.25" width, good for all seasons. This is also still large enough to use the **Beesmart Bottom Board Cleaner** to remove dead bees in the winter.
4. The feeder shim should be deep enough to accommodate that 1-gallon **Beesmart 3-Season Feeder**, that way it would also allow the use of anything smaller such as the **Rapid-Round**, or patties, etc. Rigid insulation board could be attached to the inside walls of the feeder shim and **Great Stuff** expansion foam has proven to be the best "glue" for foam board connections. Expansion foam must secure the shim to the insulated inner cover so there is no air flow around those plastic-to-wood areas.
5. The telescoping cover is the **BeeMax Outer Cover**. Note: it must be painted with exterior latex paint to prevent deterioration.
6. For that stand, Fred like the **Lyson Hive Stand Brackets**. It can support anything and allows beekeepers to just cut their 2x4 stock to match their space requirements. Fred recommends that it have space for a full sized 10-frame box, telescoping cover, etc... with a bar across the end supports on one side that facilitate hanging the smoker, spray bottle, etc....
7. Standard hive visor. Fred has a video on how to make them. Not his invention but they protect the bees, help keep show off the entrance and they look attractive on the hive.
8. Attach wooden handles to the hive box exterior, covering all cut-in handles with a puff of expansion foam in that void at the same time the handle block is attached to the box, so that's one block for every recess. The block/handles should have a slight top bevel to shed rain/snow and a bottom bevel for grip.
9. All woodwork should be finished with **Eco-Wood**, or exterior latex semi-gloss paint.
10. Two bottom board options, one being a solid bottom board or the enclosed bottom board with a removable tray (back access) with screen #8 for IPM.

# Fred's Favorite Langstroth Hive Set-up

AS DISCUSSED IN THE WAY TO BEE PODCAST, Q&A 149



**FRONT ELEVATION**

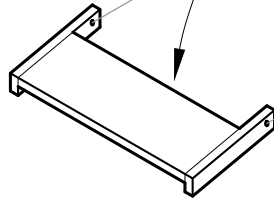
# Fred's Favorite Langstroth Hive Set-up

THIS IS FRED'S CURRENT SET-UP FOR HIS HIVES. AS DISCUSSED IN *THE WAY TO BEE PODCAST Q&A 149* HERE ARE THE HIGHLIGHTS:

- THIS IS HIS 4 SEASON SET UP, IT DOES NOT CHANGE BASED ON THE SEASON.
- THE ONLY THING THAT CHANGES ARE THE NUMBER OF HONEY SUPERS ADDED AS THE HIVE BUILDS UP IN SPRING / SUMMER
- NO UPPER VENTILATION OR ENTRANCE
- WITH NO UPPER VENTING, NO NEED FOR A QUEEN EXCLUDER
- NO MOUSE GUARD NEEDED

## HIVE VISOR

A HOME MADE VISOR PROTECTS THE ENTRANCE FROM RAIN & SNOW. IT ALSO CREATES A SHADED AREA BEES LIKE TO BEARD UNDER ON HOT DAYS. SEE FRED'S VIDEO ON HOW TO MAKE ONE.

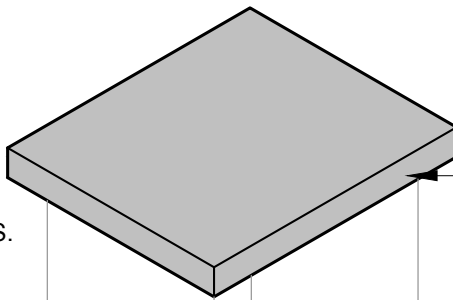


SINGLE DEEP

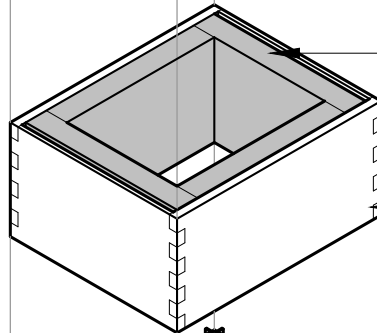
SLATTED RACK

ENTRANCE REDUCER

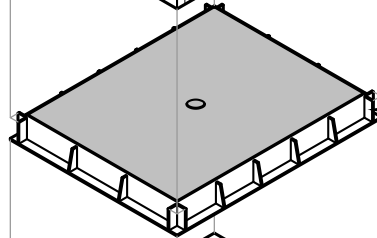
$\frac{3}{8}$ " x  $2\frac{1}{4}$ " OPENING



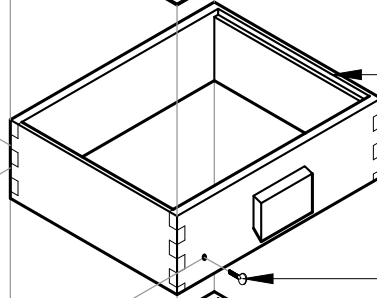
BEEMAX  
POLYSTYRENE OUTER COVER



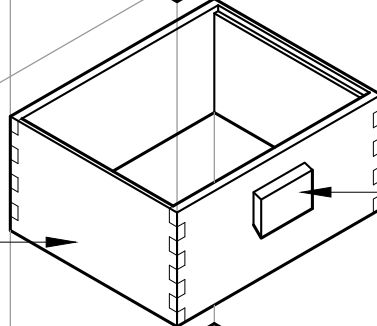
RIDGED FOAM  
INSULATED SIDES



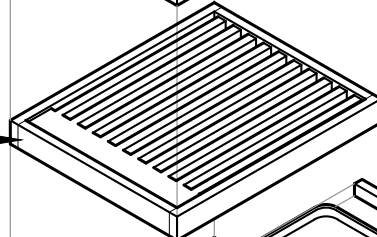
FEEDER SHIM  
DEEP BOX USED TO ACCOMMODATE A RAPID ROUND OR 3 SEASON FEEDER



BEE SMART  
ULTIMATE INNER HIVE COVER INSULATED w/ A  $1\frac{1}{2}$ " FEEDING HOLE

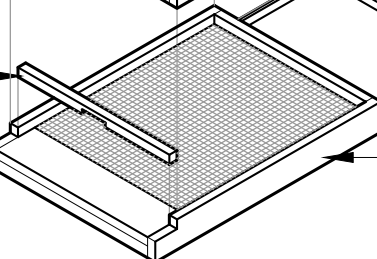


MEDIUM SUPER  
HONEY IN THIS BOX IS SOLELY FOR THE BEES TO OVER-WINTER w/ & IS NOT TO BE EXTRACTED



HIVE VISOR  
THUMB SCREWS

WOOD HANDLES  
1x4 MATERIAL w/ AN ANGLED TOP TO SHED WATER & ANGLED BOTTOM FOR GRIP. GLUED & SCREWED TO BOX. INSULATE THE RECESSED HANDLE w/ SPRAY FOAM BEFORE INSTALLING.



REAR HATCH



MITE TRAY

ENCLOSED SCREENED  
BOTTOM BOARD  
INTEGRATED PEST MANAGEMENT. SEALED SO BEES CAN CONTROL THE HIVES INTERIOR CLIMATE.

FOAM INSULATION

